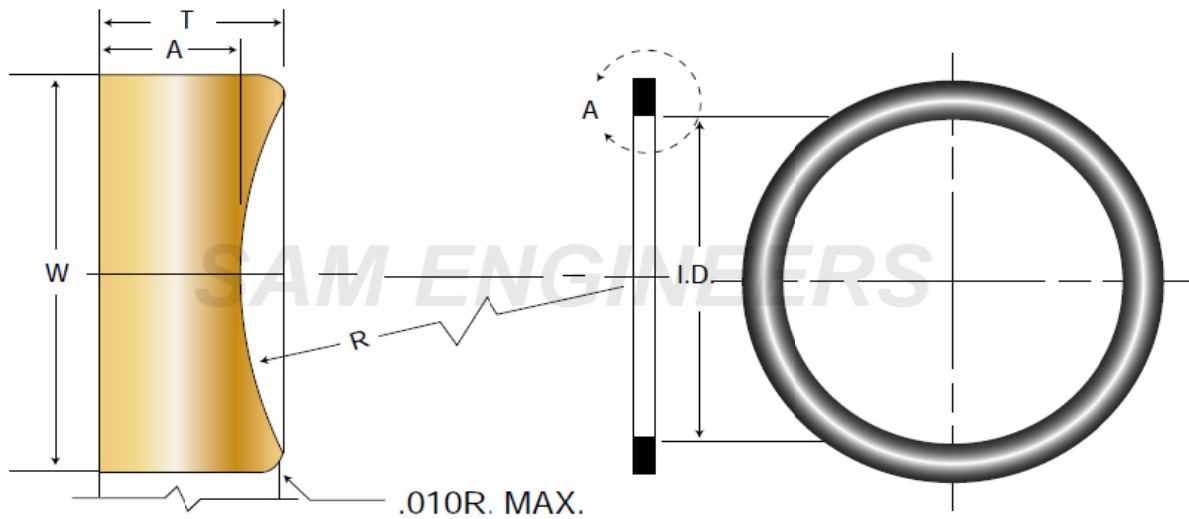




SAM ENGINEERS

Web: <http://www.samseals.com> : <http://www.rubbersealsandgaskets.com> : <http://www.samrubber.com>
 Email: sales@samseals.com : samengineers.sagar@gmail.com Cell No: +91 97694 82 432 : +91 98200 82 432

BACK-UP RING



Size		Tolerance in mm						
From	To	R ±.010	T. (REF.)	TOL. ±	A.	TOL. ±	W.	TOL. ±
-004	-050	2.21	1.20	0.08	1.14	0.08	1.35	0.08
-102	-178	3.28	1.28	0.08	1.14	0.08	2.18	0.08
-201	-284	4.42	1.23	0.08	1.02	0.08	3.00	0.10
-309	-395	6.65	1.88	0.10	1.52	0.10	4.65	0.13
-425	-475	8.74	2.97	0.13	2.44	0.13	5.99	0.15

Regd. Off: A-603, Blue Regency, Off Link Road, Mahavir Nagar, Kandivali (W), Mumbai 400 067, Maharashtra, India.

Unit No.2, Jas Industrial Estate, B. P. Road, Opp. Kapol Bank, Goddev Naka, Bhayandar (E), Thane 401-105, Maharashtra, India.