



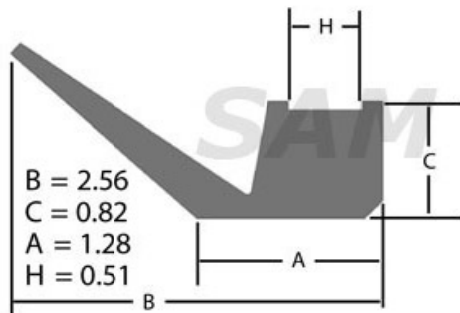
SAM ENGINEERS

Web: <http://www.samseals.com> : <http://www.rubbersealsandgaskets.com> : <http://www.samrubber.com>
 Email: sales@samseals.com : samengineers.sagar@gmail.com Cell No: +91 97694 82 432 : +91 98200 82 432

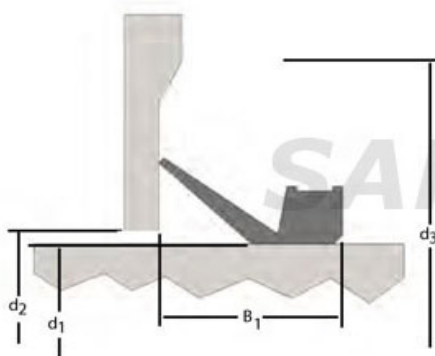
V-Seal M

Select the larger V-Seal when the dimension d_1 is on the boundary between two sizes of V-Seal. All dimensions in inches.

Profile dimensions



Assembly dimensions



$$B_1 = 2.00 + 0.50$$

$$d_2 \text{ max} = d_1 + 0.94$$

$$d_3 \text{ min} = d_1 + 4.53$$

V-Seal Designation	For Shaft Diameter d_1	Inside Diameter d	V-Seal Designation	For Shaft Diameter d_1	Inside Diameter d
V-450 M	17.72-17.91	17.28	V-830 M	32.32-32.72	31.34
V-455 M	17.91-18.11	17.48	V-840 M	32.72-33.11	31.69
V-460 M	18.11-18.31	17.64	V-850 M	33.11-33.50	32.05
V-465 M	18.31-18.50	17.39	V-860 M	33.50-33.90	32.44
V-470 M	18.50-18.70	18.03	V-870 M	33.90-34.29	32.80
V-475 M	18.70-18.90	18.23	V-880 M	34.29-34.72	33.19
V-480 M	18.90-19.09	18.43	V-890 M	34.72-35.12	33.58
V-485 M	19.09-19.29	18.62	V-900 M	35.12-35.91	34.29
V-490 M	19.29-19.49	18.82	V-920 M	35.91-36.30	34.65
V-495 M	19.49-19.69	19.02	V-930 M	36.30-36.73	35.04
V-500 M	19.69-19.88	19.21	V-940 M	36.73-37.17	35.43
V-505 M	19.88-20.08	19.41	V-950 M	37.17-37.60	35.87
V-510 M	20.08-20.28	19.57	V-960 M	37.60-38.03	36.26
V-515 M	20.28-20.47	19.76	V-970 M	38.03-38.47	36.69
V-520 M	20.47-20.67	19.96	V-980 M	38.47-38.90	37.09
V-525 M	20.67-20.87	20.16	V-990 M	38.90-39.33	37.52
V-530 M	20.87-21.06	20.35	V-1000 M	39.33-39.76	37.91
V-535 M	21.06-21.26	20.51	V-1020 M	39.76-40.35	38.31
V-540 M	21.26-21.46	20.71	V-1040 M	40.35-41.14	38.98
V-545 M	21.46-21.65	20.91	V-1060 M	41.14-41.93	39.69
V-550 M	21.65-21.85	21.10	V-1080 M	41.93-42.72	40.43
V-555 M	21.85-22.05	21.30	V-1100 M	42.72-43.50	41.14
V-560 M	22.05-22.24	21.50	V-1120 M	43.50-44.29	41.93
V-565 M	22.24-22.44	21.65	V-1140 M	44.29-45.08	42.68
V-570 M	22.44-22.64	21.85	V-1160 M	45.08-45.87	43.43
V-575 M	22.64-22.84	22.05	V-1180 M	45.87-46.65	44.13
V-580 M	22.84-23.03	22.24	V-1200 M	46.65-47.44	44.84
V-585 M	23.03-23.23	22.44	V-1220 M	47.44-48.23	45.55
V-590 M	23.23-23.62	22.64	V-1240 M	48.23-49.02	46.30
V-600 M	23.62-24.02	22.91	V-1260 M	49.02-50.00	47.05
V-610 M	24.02-24.41	23.31	V-1280 M	50.00-50.98	47.95
V-620 M	24.41-24.80	23.70	V-1300 M	50.98-51.77	48.82
V-630 M	24.80-25.20	24.09	V-1325 M	51.77-52.76	49.57
V-640 M	25.20-25.59	24.45	V-1350 M	52.76-53.74	50.43
V-650 M	25.59-25.98	24.84	V-1375 M	53.74-54.72	51.38
V-660 M	25.98-26.38	25.20	V-1400 M	54.72-55.71	52.28
V-670 M	26.38-26.77	25.59	V-1425 M	55.71-56.69	53.15
V-680 M	26.77-27.17	25.98	V-1450 M	56.69-57.68	54.09
V-690 M	27.17-27.56	26.38	V-1475 M	57.68-58.66	55.00
V-700 M	27.56-27.95	26.77	V-1500 M	58.66-59.65	55.87
V-710 M	27.95-28.35	27.13	V-1525 M	59.65-60.63	56.81
V-720 M	28.35-28.74	27.52	V-1550 M	60.63-61.81	57.76
V-730 M	28.74-29.13	27.91	V-1575 M	61.81-62.99	58.86
V-740 M	29.13-29.53	28.27	V-1600 M	62.99-64.57	60.00
V-750 M	29.53-29.84	28.66	V-1650 M	64.57-66.14	61.38
V-760 M	29.84-30.16	28.94	V-1700 M	66.14-67.72	62.84
V-770 M	30.16-30.47	29.25	V-1750 M	67.72-69.49	64.25
V-780 M	30.47-30.83	29.57	V-1800 M	69.49-71.26	65.79
V-790 M	30.83-31.18	29.88	V-1850 M	71.26-73.03	67.48
V-800 M	31.18-31.54	30.24	V-1900 M	73.03-75.00	69.02
V-810 M	31.54-31.89	30.59	V-1950 M	75.00-76.97	70.63
V-820 M	31.89-32.32	30.95	V-2000 M	76.97-79.13	72.60

Regd. Off: A-603, Blue Regency, Off Link Road, Mahavir Nagar, Kandivali (W), Mumbai 400 067, Maharashtra, India.

Unit No.2, Jas Industrial Estate, B. P. Road, Opp. Kapol Bank, Goddev Naka, Bhayandar (E), Thane 401-105, Maharashtra, India.